

# KlearVue™

FOLDING PLATFORM LIFT



## The KlearVue™ Advantages:

- Unobstructed view from within the vehicle
- Added safety benefit of minimized blind spots
- Unique folding platform accommodates longer platform scooters and wheelchairs without requiring raised roof or doors
- Accommodates 51" platform in a 48" door
- Automatic inboard/outboard rollstops
- When stowed, the outboard rollstop is away from passenger exposure
- Quiet, smooth operation
- Stable and compact when stowed
- Permanent, no-lube bearings at all major pivot points
- Powerful hydraulic pump
- Built-in manual back-up system
- Easy to operate and maintain
- Limited 5-year warranty

Unseen from the  
Outside Means a Clear  
View from the Inside



**RICON**



# KlearVue™

## FOLDING PLATFORM LIFT

### The only lift with a unique “fold-in-half” design.

The new KlearVue™ lift from Ricon is the only lift with a unique “fold-in-half” design. KlearVue™ offers several clear advantages. When the KlearVue™ lift is stowed, it provides an unobstructed view for the driver, helping to eliminate hazardous blind spots and allowing a clear view for passengers as well. And, the KlearVue™ is virtually unseen from outside the vehicle.

### Easy to operate and maintain.

Standard pendant control or optional radio remote control operation is available. The added convenience of Ricon power door operators provides an extremely convenient and reliable lift package. The KlearVue™ is based on the famous S-Series™ technology and includes permanent, no-lube bearings, stainless steel fittings, built-in manual back-up system and Ricon’s limited 5-year warranty. Additional extended warranty is also available.

### The KlearVue™ is quiet.

KlearVue’s™ unique design is a more stable and compact arrangement when stowed. This results in dramatically reduced excessive noise when traveling. With the added benefit of Ricon’s patented Sto-Loc™ feature — which secures the lift from accidental deployments — the KlearVue™ is very quiet and smooth.

Because the KlearVue™ platform folds when stowed, no raised-roof modification is required — even when a long platform is necessary for larger wheelchairs and power scooters. Like magic, the 51" KlearVue™ will easily stow in a 48" door!

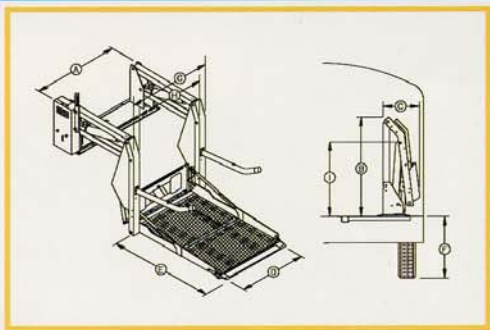
### The KlearVue™ lift is very safe.

The lift is outfitted with both inboard and outboard automatic rollstops. And, when the KlearVue™ is stowed, its folding design keeps the rollstop away from exposure to passengers inside the vehicle.

### KLEARVUE DIMENSIONS (in inches)

Models	A	B	C	D	E	F	G	H	I	Platform Size D x E (width x length)	Minimum Door Width (inches)	Minimum Door Height (inches)	Floor to Ground Max. Travel (inches)
K1200	45	43.5	15.5	30	44	31	37.5	29	26.5	30x44	38.5	44	31
K1203	45	43.5	15.5	30	51	31	37.5	29.5	30.5	30x51	38.5	44	31
K1205	47	43.5	15.5	32	51	31	37.5	31.5	30.5	30x51	40.5	44	31

- A. Stationary frame width
- B. Height (folded)
- C. Installation depth (folded)
- D. Usable platform width
- E. Usable platform length
- F. Floor-to-ground travel
- G. Traveling frame width
- H. Clear entry width
- I. Platform height (folded)



### LIFT SPECIFICATIONS

- Power . . . . . Electro Hydraulic Motor
- Pump Rating - 12 Volt DC . . . . . 65 amp. avg. / cycle, 1250 PSI
- Pump Rating - 24 Volt DC . . . . . 32.5 amp. / cycle, 1250 PSI
- Hydraulic Cylinders . . . . . (2) 1.5" - Power-up / Gravity-down
- Rated Load Capacity . . . . . 800 lbs.
- Manual Back-up - Up . . . . . Manual Hand Pump
- Manual Back-up - Down . . . . . Manual Release Valve
- Weight . . . . . Approx. 310 - 325 lbs.

For the Ricon Dealer nearest you, call (800) 322-2884  
or visit our website: [www.riconcorp.com](http://www.riconcorp.com)