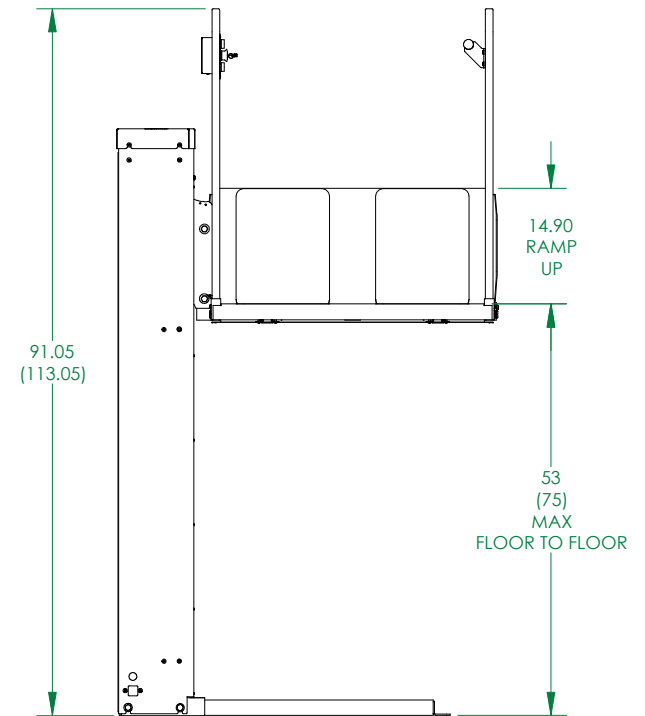
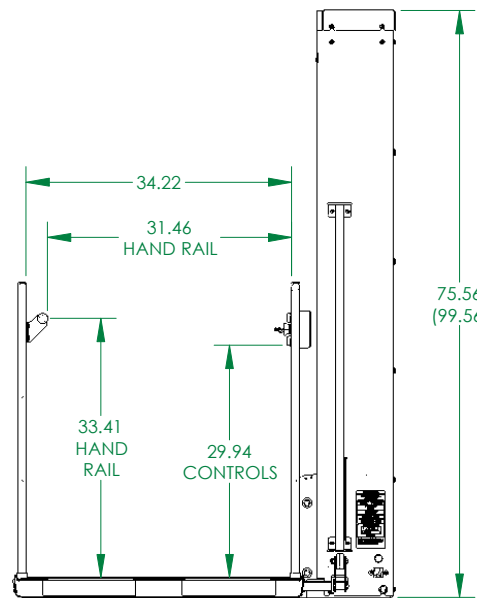
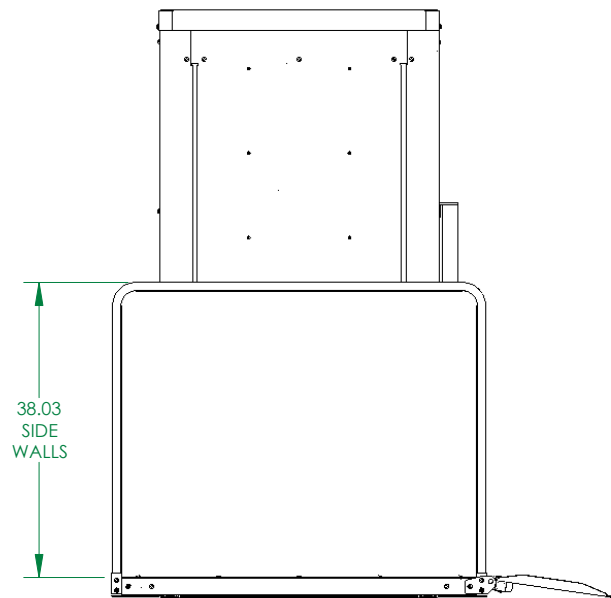
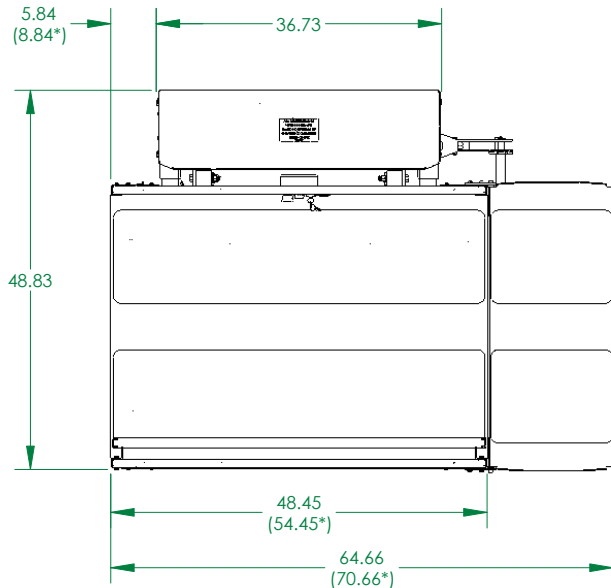


BRUNO VERTICAL PLATFORM LIFT VPL-3100 SERIES



TECHNICAL DATA/SPECIFICATIONS

RATED LOAD:	750 lbs maximum.
POWER SOURCE:	110-120 Volt 15 Amp 60 Hz dedicated service.
DRIVE:	1 hp motor; 1750 rpm, single phase, 120 VAC, 1.15 service factor, continuous duty.
INTERMEDIATE REDUCTION:	Dual 4L style Poly-V belts and pulleys, 3.94:1 pulley reduction.
FINAL DRIVE:	1" dia. ACME screw w/bronze nut and bronze safety back up nut
MOTOR CONTROLLER:	24VAC Relay control.
BRAKING:	Precision landing control with solenoid actuated screw braking.
STANDARD CONTROL:	Separate up and down push button switches, continuous operation, key switch control.
EMERGENCY STOP SWITCH:	Red, sealed, 1.55" diameter mushroom head, push to stop, pull to reset.
SPEED:	9 feet per minute maximum.
LIFTING HEIGHT:	Model VPL-3153 has a 53" maximum floor to floor height. and the model VPL-3175 has a 75" maximum floor to floor height.

- NOTES: 1) MODEL VPL-3153 SHOWN, MODEL VPL-3175 (VARIABLE DIMENSIONS LISTED IN PARENTHESES)
 2) DIMENSIONS WITH * ARE FOR OPTIONAL LONGER PLATFORM
 3) SEE SHEET 2 FOR UNIT ANCHOR POINTS
 4) ACCESS RAMP CAN BE MOUNTED ON THE RIGHT OR LEFT OF THE PLATFORM

VPL-3100
SHEET 1 OF 4

REV. 10/30/2006 ISO 404.97

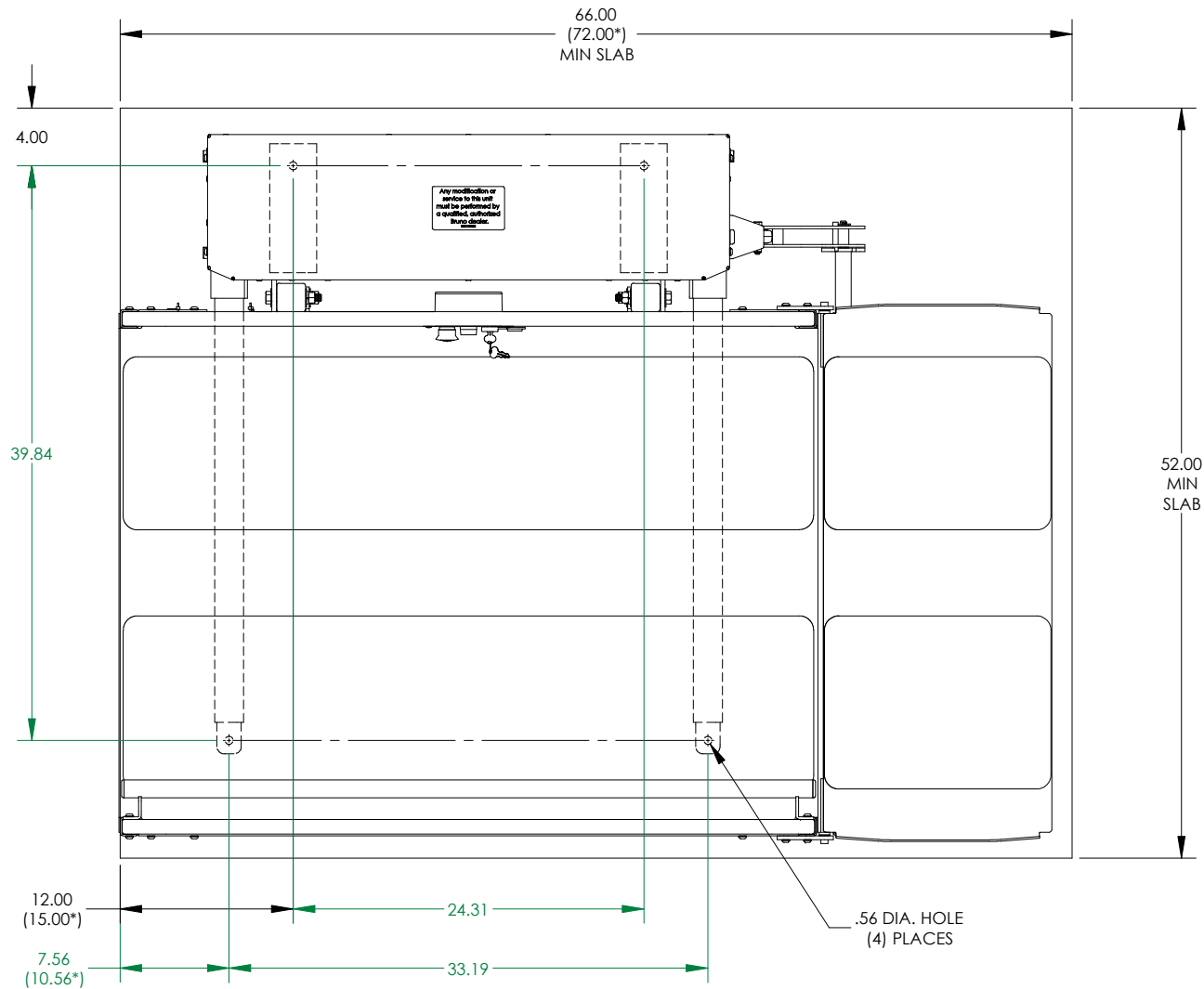
Bruno Independent Living Aids, Inc., 1780 Executive Drive, P.O. Box 84, Oconomowoc, WI 53066
 Phone (800) 882-8183 Fax (262) 953-5501

Any reproduction or other use of these materials without written permission of Bruno Independent Living Aids, Inc. is expressly prohibited. Bruno Independent Living Aids, Inc. reserves the right to modify or make changes to these specifications at any time with out notice.

 **BRUNO**
 for your independence

©2006 Bruno Independent Living Aids, Inc.

BRUNO VERTICAL PLATFORM LIFT VPL-3100 SERIES



ANCHOR POINT LOCATIONS

NOTE: * DIMENSIONS FOR OPTIONAL LONGER PLATFORM

VPL-3100
SHEET 2 OF 4
REV. 10/30/2006 ISO 404.97

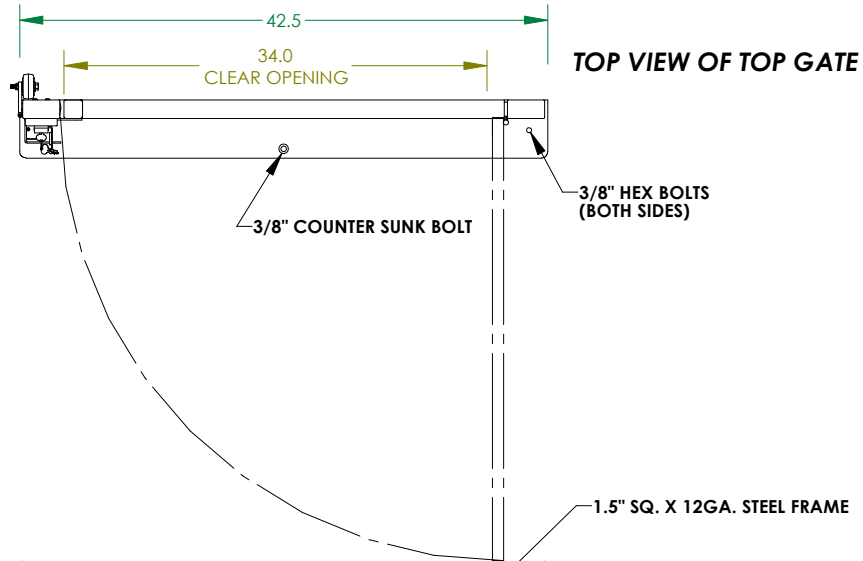
Bruno Independent Living Aids, Inc., 1780 Executive Drive, P.O. Box 84, Oconomowoc, WI 53066
 Phone (800) 882-8183 Fax (262) 953-5501

Any reproduction or other use of these materials without written permission of Bruno Independent Living Aids, Inc. is expressly prohibited.
 Bruno Independent Living Aids, Inc. reserves the right to modify or make changes to these specifications at any time without notice.

 **BRUNO**[®]
 for your independence
 ©2006 Bruno Independent Living Aids, Inc.

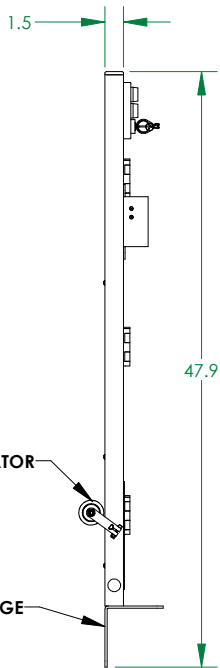
BRUNO VERTICAL PLATFORM LIFT VPL-3100 SERIES GATE DETAIL

(2) 1.5" X 1.5" X 24" 12GA. CHANNEL SUPPLIED FOR MOUNTING TO SUPPORT STRUCTURE.



**LEFT HAND GATE
VIEWED FROM TOP LANDING**

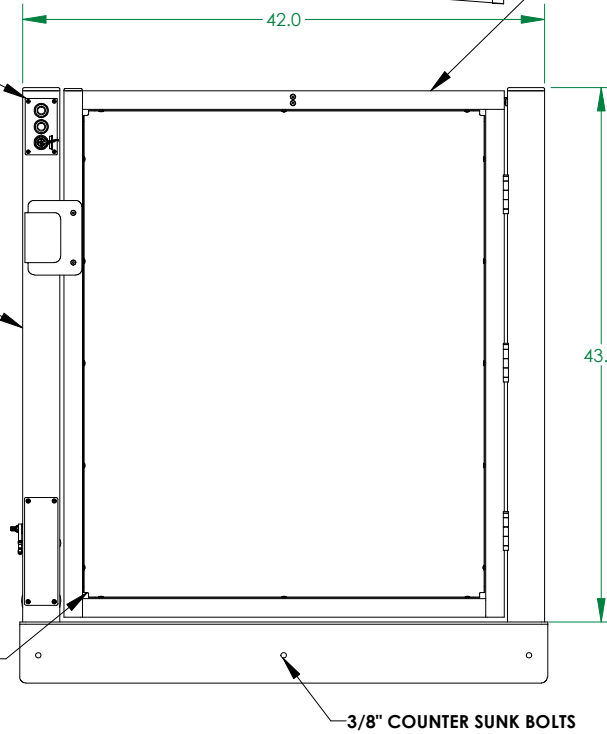
LEFT SIDE VIEW OF TOP GATE



CALL/SEND CONTROL

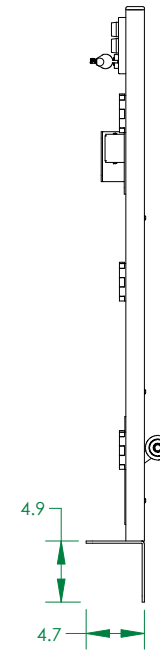
3" X 1.5" X 12GA. GATE UPRIGHTS

16 GA. STEEL SHEET METAL



FRONT VIEW OF TOP GATE

RIGHT SIDE VIEW OF TOP GATE



VPL-3100

SHEET 3 OF 4

REV. 10/30/2006 ISO 404.97

Bruno Independent Living Aids, Inc., 1780 Executive Drive, P.O. Box 84, Oconomowoc, WI 53066
Phone (800) 882-8183 Fax (262) 953-5501

Any reproduction or other use of these materials without written permission of Bruno Independent Living Aids, Inc. is expressly prohibited. Bruno Independent Living Aids, Inc. reserves the right to modify or make changes to these specifications at any time with out notice.

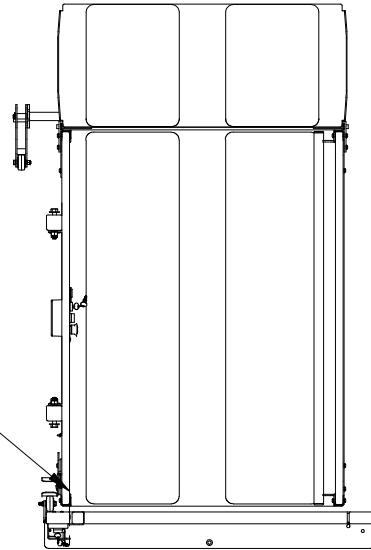
BRUNO
for your independence

©2006 Bruno Independent Living Aids, Inc.

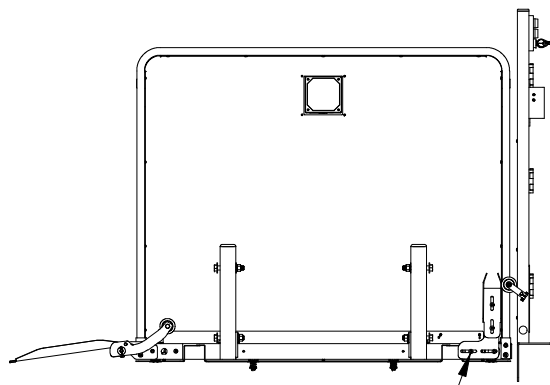
BRUNO VERTICAL PLATFORM LIFT VPL-3100 SERIES GATE ALIGNMENT AND INSTALL POSITION

LEFT HAND GATE
VIEWED FROM TOP LANDING

INSIDE OF PERIMETER TUBE TO BE FLUSH WITH THE INSIDE WALL OF THE GATE UPRIGHT ON THE DOOR HANDLE SIDE.

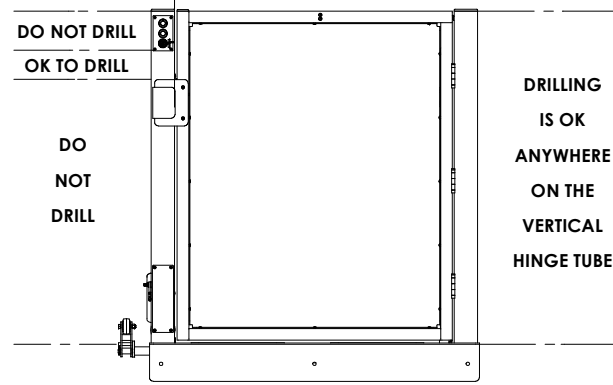


TOP VIEW OF PLATFORM AND TOP GATE



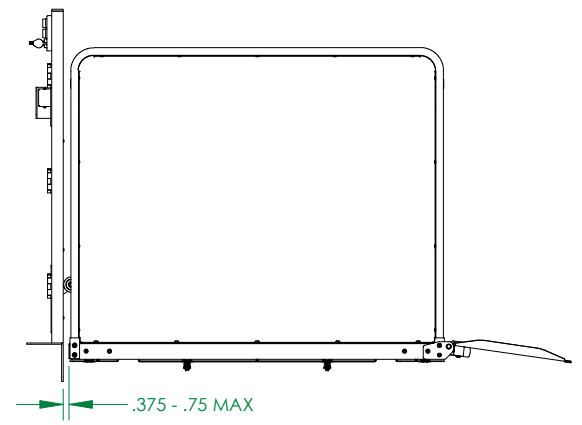
LEFT SIDE VIEW OF PLATFORM AND TOP GATE

BRACKETS TO BE ADJUSTED AS NEEDED FOR PROPER ACTIVATION OF CAM LOCKING ACTUATOR.



FRONT VIEW OF PLATFORM AND TOP GATE

DRILLING IS OK ANYWHERE ON THE VERTICAL HINGE TUBE



RIGHT SIDE VIEW OF PLATFORM AND TOP GATE

VPL-3100
SHEET 4 OF 4
REV. 10/30/2006 ISO 404.97

Bruno Independent Living Aids, Inc., 1780 Executive Drive, P.O. Box 84, Oconomowoc, WI 53066
Phone (800) 882-8183 Fax (262) 953-5501
Any reproduction or other use of these materials without written permission of Bruno Independent Living Aids, Inc. is expressly prohibited. Bruno Independent Living Aids, Inc. reserves the right to modify or make changes to these specifications at any time with out notice.