

# Nordic Capella 201





# Rise and shine!

Capella is an electrically powered sit-to-stand lift, designed for people who have difficulty getting up. Capella raises the resident from sitting to fully standing in a comfortable way and without strain on the caregiver.

When standing, the resident can be moved, for example to the bathroom, where undressing is easily performed while in the lift. The lift is very easy to maneuver and spares the caregiver from heavy and dangerous manual lifts.

Capella is also appropriate for standing training, which strengthens the skeleton and stimulates circulation.



## Special features:

- Electrical lifting motion (up/down)
- Flexible lifting height, three positions available
- Lifting capacity 160 kg (350 lbs.)
- Easy to use mechanical base-width adjustment
- Slingbar with safety hooks (prevents the vest's loops from unhooking).
- Lockable rear wheels
- Electrical emergency lowering
- Emergency stop
- Adjustable, padded lower-leg support
- Removable footrest
- Comfortable sit-to-stand vest in two sizes



*Lifting in a sitting position with Hygiene Sling.*



*Sit-to-stand lifts can be performed from the bed or a chair...*



*...for example to the bathroom where the resident is easily undressed.*



# Accessories for Capella

The specially developed sit-to-stand Capella Vest is available in different sizes. Even though Capella mainly is intended for sit-to-stand lifting, when using the proper sling model, the lift also functions perfectly when the resident must be lifted in a sitting position. We recommend the Nordic Hygiene Sling, which is very easy to apply and remove.



## Nordic Capella Vest

Prod. no.	Size	Patient weight
5037505	M (Medium)	50-90 kg (110-200 lb)
5037506	L (Large)	80-120 kg (175-265 lb)

## Nordic Hygiene Sling

Prod. no.	Size	Patient weight
5037305	M (Medium)	40-90 kg (90-200 lb)
5037306	L (Large)	80-120 kg (175-265 lb)



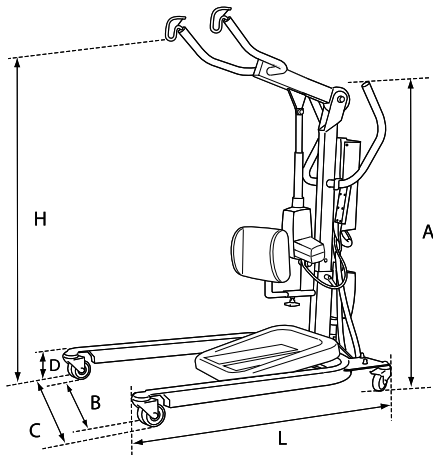
## Technical data

<b>Material:</b>	Powder-coated steel
<b>Emergency lowering:</b>	Electrical
<b>Intermittent operation:</b>	Int. Op 10/90, active operation max 2 min. Out of a time of 100, active must be less than 10, however not more than 2 min.
<b>Batteries:</b>	Two 12 V 2,9 Ah valve regulated rechargeable gel-type leadacid batteries.
<b>Charger:</b>	External charger, 100-230 V, max 250 mA.
<b>Motor (mast):</b>	24 V, permanent magnetic motor with mechanical safety mechanism.
<b>Wheels:</b>	Standard front: 75 mm (2.95 inch.) dual. Standard rear: 75 mm (2.95 inch.) with brake single wheel. Alt. 100 mm (3.94 inch.) single wheel.
<b>Degree of protection:</b>	IP 43



## Measurements & weight

### Nordic Capella 201



H*		A*
max	min	
172	89	117
167	84	112
162	79	107

B	C
53-96	69-112

D	L
11	106

**Slingbar:** 35 cm wide

**Weight:** 40 kg (88 lbs.)

*Measurements in centimeters.  
\* These measures depends on in which position the mast is levelled and secured.*

Nordic Capella 201 is tested by an accredited testing institute and complies with the requirements of directives for medical technical Class 1 products. Nordic Capella 201 complies with the requirements according to EN 60601-1, EN 60601-1-2 and EN ISO 10535:1998.

## Care for Living

Nordic Rehab has specialized in a range of functional assistive devices with reasonable pricing. The focus lies on safety, quality and function.



Caroli

Capella

Walkers

Furniture  
Risers

**Nordic  
Rehab**  
by Liko

Nordic Rehab AB  
Nedre vägen 100,  
SE-975 92 Luleå, Sweden  
Tel: +46 (0)920-24 75 90  
Fax: +46 (0)920-24 75 91  
info@nordicrehab.com  
www.nordicrehab.com

**Distributor:**

**Distributor:**

[www.nordicrehab.com](http://www.nordicrehab.com)